

Mini multi-stage vacuum Ejectors



Mini multi-stage vacuum Ejectors MN

Suction capacity: 37 L/min to 220 L/min

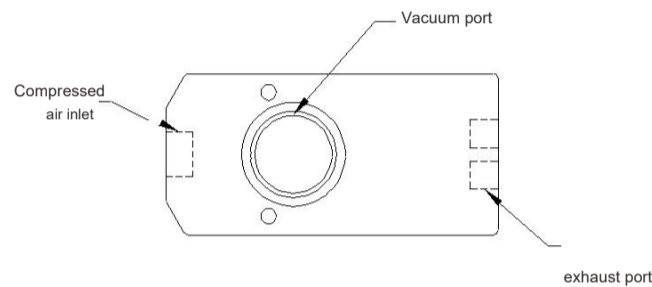
Mini multi-stage vacuum Ejectors MN



Introduction and application

- ◆ The vacuum interface threads are G1/8 or G3/8.
- ◆ Use a multi-stage ejectors to create a vacuum that provides a large vacuum flow

System Design Mini multi-stage vacuum Ejectors MN



Design

- ◆ Compact, lightweight and easy to install, it can be mounted directly on the suction cup
 - ◆ Made of high-grade plastic, it can be used in most harmful gases
- ◆ Suitable for filtered and oil-free compressed air (4-6bar)

Ordering Data Mini multi-stage vacuum Ejectors MN

Type	Ordering Data	Type	Ordering Data
MN5-A	90.05.01.00221	MN30-B	90.05.01.00226
MN10-A	90.05.01.00222	MN5-C	90.05.01.00227
MN5-B	90.05.01.00223	MN10-C	90.05.01.00228
MN10-B	90.05.01.00224	MN20-C	90.05.01.00229
MN20-B	90.05.01.00225	MN30-C	90.05.01.00230

Note: A air supply port M5-φ6, vacuum port G1/8, built-in silencer; B air supply port G1/8, vacuum port G3/8, built-in silencer; C air supply port G1/8, vacuum port G3/8, an external silencer;

Technical Data Mini multi-stage vacuum Ejectors MN

Type	Maximum vacuum [-kpa]	Maximum vacuum flow [l/min]	Air consumption [l/min]	Operating temperature [°C]
MN 5	85	37	12-20	-20~80
MN 10	85	75	28-42	-20~80
MN 20	85	150	55-85	-20~80
MN 30	85	220	80-125	-20~80

Mini multi-stage vacuum Ejectors

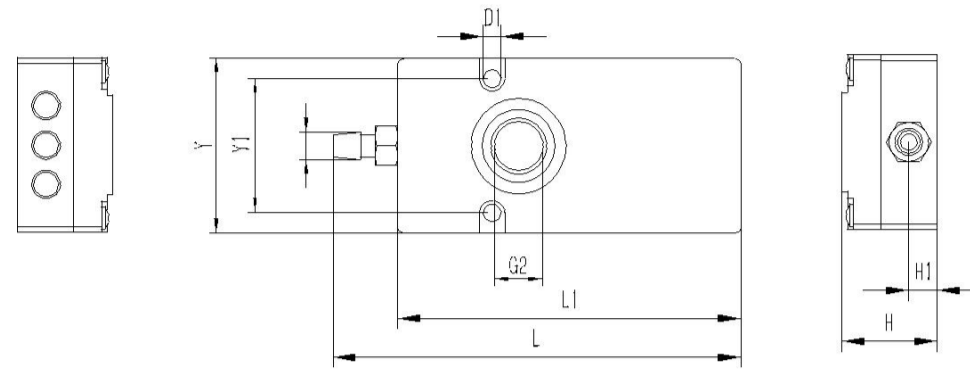


Mini multi-stage vacuum Ejectors MN

Suction capacity: 37 L/min to 220 L/min

Design Data Mini multi-stage vacuum Ejectors MN

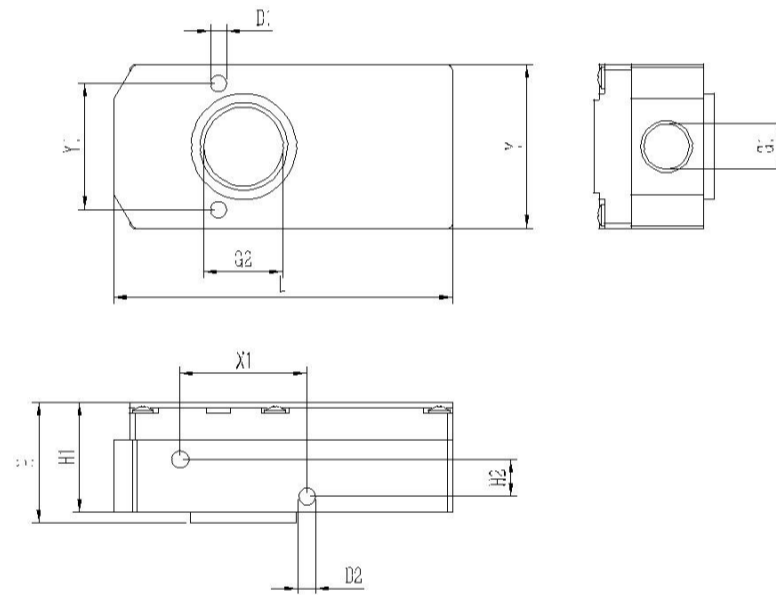
Type A



Type	Dimensions [mm]									
	L	Y	H	L1	Y1	H1	D1	D2	G2	
MN5-A	72.5	31	16.9	61	23.8	5	3.1	3.3	G1/8	
MN10-A	72.5	31	16.9	61	23.8	5	3.1	3.3	G1/8	

Design Data Mini multi-stage vacuum Ejectors MN

Type B



Type	Dimensions [mm]											
	L	Y	H	H1	H2	X1	Y1	D1	D2	G1	G2	
MN5-B	64	31	22.7	20.7	7	24	23.8	3.1	3.3	G1/8	G3/8	
MN10-B	64	31	22.7	20.7	7	24	23.8	3.1	3.3	G1/8	G3/8	
MN20-B	64	31	30	28	7	24	23.8	3.1	3.3	G1/8	G3/8	
MN30-B	64	31	37	35	7	24	23.8	3.1	3.3	G1/8	G3/8	

Mini multi-stage vacuum Ejectors

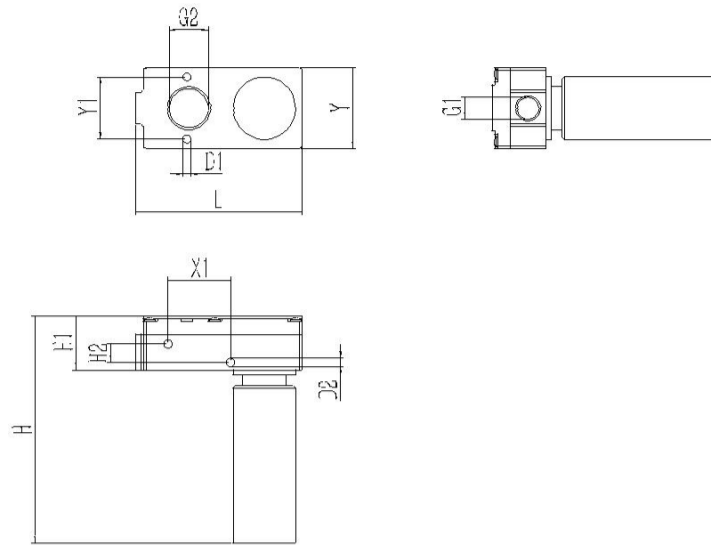
TC-Grip

Mini multi-stage vacuum Ejectors MN

Suction capacity: 37 L/min to 220 L/min

Design Data Mini multi-stage vacuum Ejectors MN

Type C



Type	Dimensions [mm]											
	L	Y	H	H1	H2	X1	Y1	D1	D2	G1	G2	
MN5-C	64	31	87	20.7	7	24	23.8	3.1	3.3	G1/8	G3/8	
MN10-C	64	31	87	20.7	7	24	23.8	3.1	3.3	G1/8	G3/8	
MN20-C	64	31	94.2	28	7	24	23.8	3.1	3.3	G1/8	G3/8	
MN30-C	64	31	101.5	35	7	24	23.8	3.1	3.3	G1/8	G3/8	